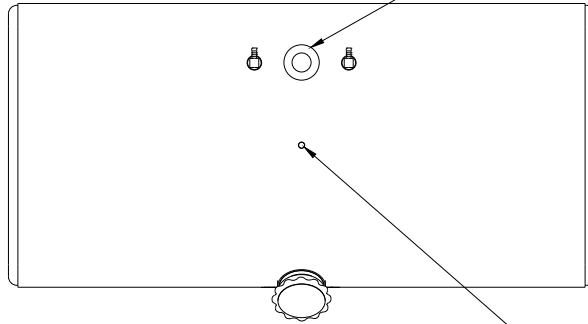


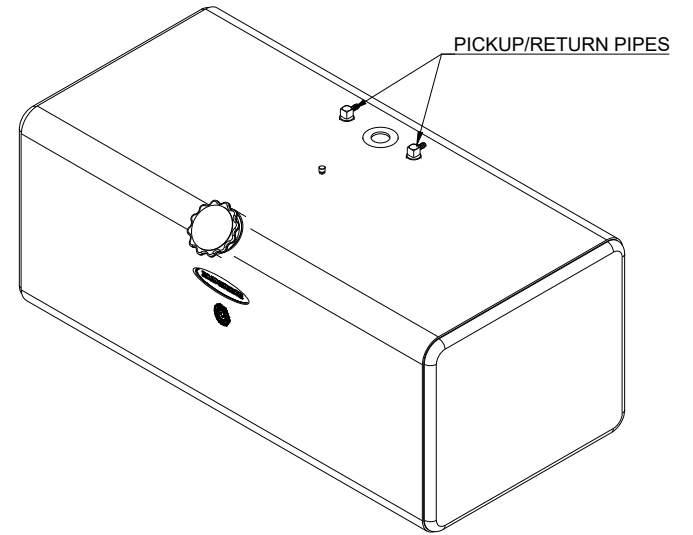
| ISSUE | DETAILS                        | DATE |
|-------|--------------------------------|------|
| A     | TO BE APPROVED FOR MANUFACTURE |      |

FITTING POSITIONS SHOWN ARE STANDARD. PLEASE INDICATE WITH DIMENSIONS IF REQUIRED IN A DIFFERENT LOCATION.  
TANK SHOWN IS SUITABLE FOR SCREW TYPE SENDER (WITH PICKUP / RETURN PIPES SEPARATE FROM THE SENDER UNIT).

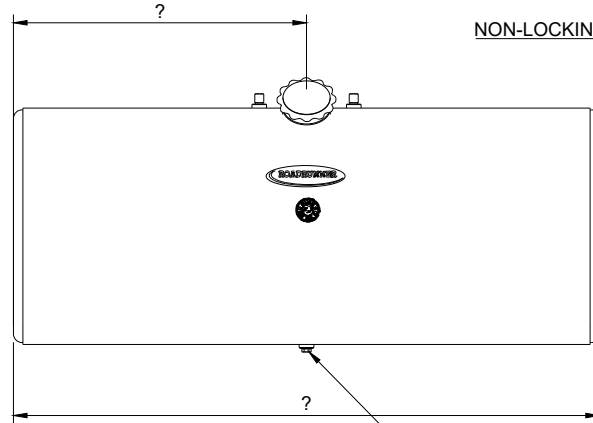
SENDER UNIT MOUNTING PLATE  
Plate is supplied blank and will need to be drilled and tapped by customer unless sender is supplied for fitment



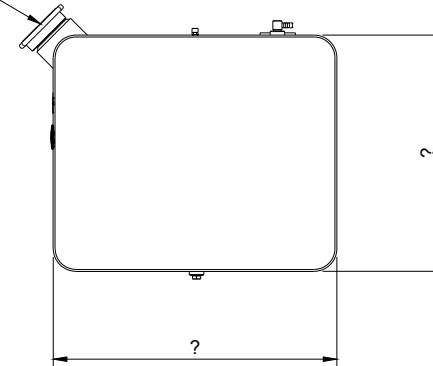
BRASS FUEL TANK BREATHER



PICKUP/RETURN PIPES



NON-LOCKING ROADRUNNER FUEL CAP



3/8" BSP DRAIN AND BUNG

THIS DRAWING AND/OR ELECTRONIC MEDIA CONTAINING THIS DRAWING REMAIN THE PROPERTY OF ROADRUNNER MANUFACTURING LTD. IT MAY NOT BE COPIED OR USED IN ANY UNORTHERRISED MANNER

**ROADRUNNER**  
ROADRUNNER MANUFACTURING (NZ) LIMITED



|  |              |           |         |
|--|--------------|-----------|---------|
| CLIENT :                                     |              |           | SHEET : |
| TITLE : Square Fuel Tank - Screw Type Sender | DATE :       | SCALE :   |         |
| DRAWN BY : Steve Tunnicliffe                 | STOCK CODE : | JOB NO. : | ISSUE : |